



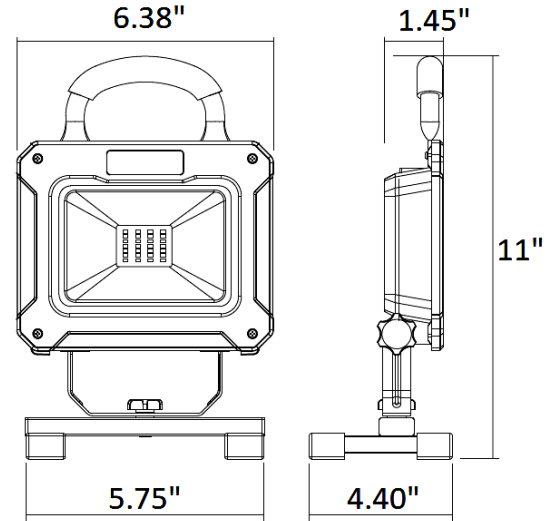
Charge plug Included



USB Cable Included

DIMENSIONS:

6.38"(L) x 11"(H) x 4.40"(W)



WL-EZCG-10W-50K

LED PORTABLE LIGHT

ELECTRICAL SPECIFICATIONS:

- Input Wattage: 10W
- Input Voltage: 5VDC
- Power factor: >0.9
- Efficacy: 30~60LM/W
- Battery: 3.7V, 4000mAh Lithium battery
- Charging time: 5Hrs
- Running Time: 6~12Hrs

HOUSING SPECIFICATIONS:

- Die-cast aluminum body
- Operating temperature: -4°F ~ 122°F
- IP rating: IP65, Wet Locations

CERTIFICATIONS:



MODEL	WATTS	VOLTAGE	LUMENS	COLOR TEMP
WL-EZCG-10W-50K	10W	5VDC	300~600LM	5000K

OPTIONAL ACCESSORIES:



WL-EZCG-SOLP

MODEL	DESCRIPTION
WL-EZCG-SOLP	Optional Solar Panel with magnetic Base and 10FT. Cord

LIGHTING SPECIFICATIONS:

- Lamp Cover: Toughened glass
- Light Source: High power Epistar LED chip
- Total lumens: 300~600LM
- LED Quantity: 32 PCS SMD
- Color temperature: 5000K
- Beam angle: 120°

WARRANTY: 5 years

